

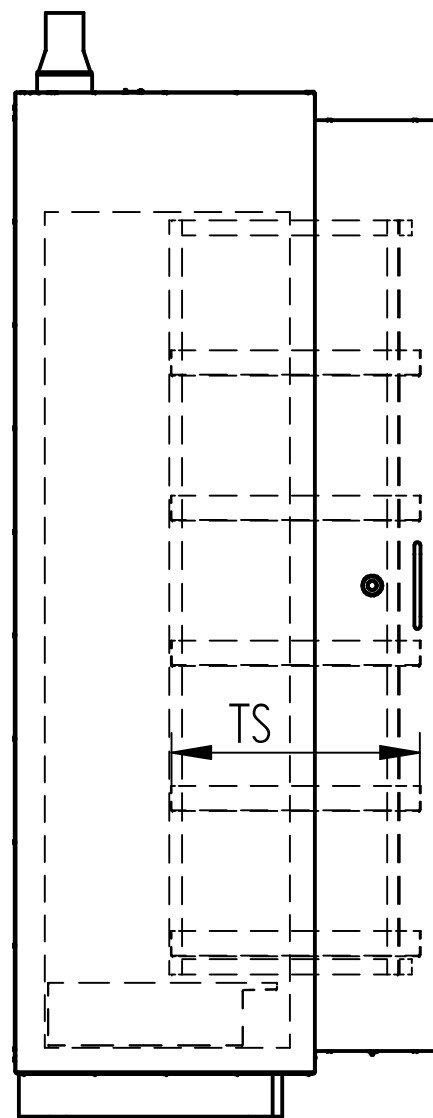
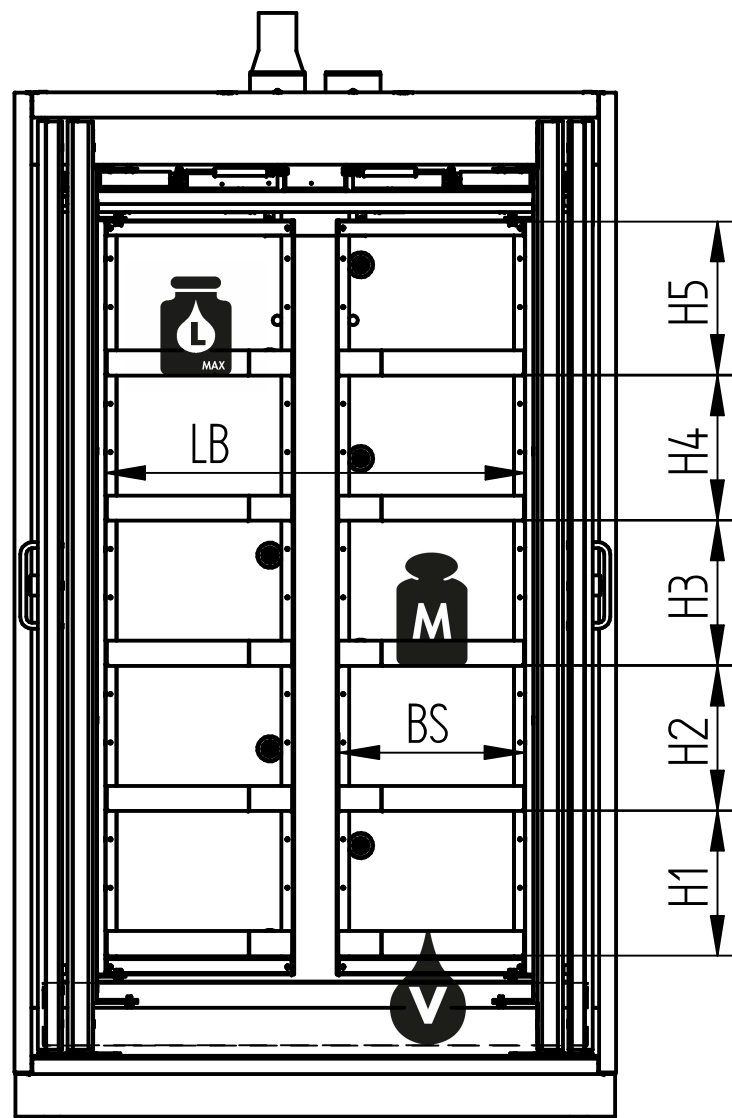


	Model type	
	M	XL
H (mm)	2037	2037
B (mm)	594	1194
T (mm)	597	597
T1 (mm)	854	854
Doors	1	2
Tare weight (kg)	300	520
Inside cabinet volume (m ³)	0,43	0,94

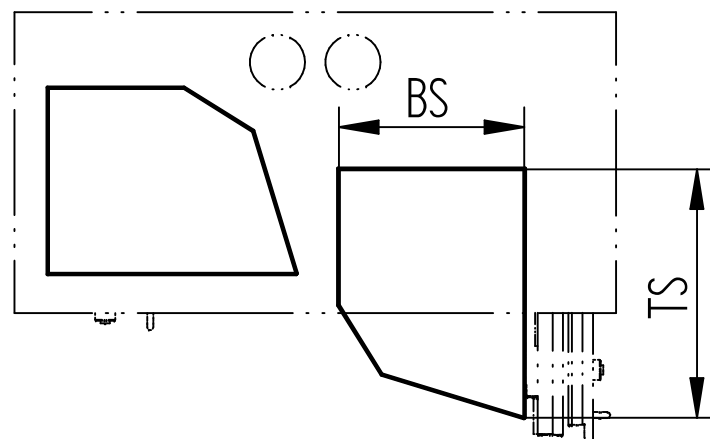
Outer dimensions

This drawing is our property! Furnish this information to other persons and reproduce or copy is not permitted without our written permission.	title: PREMIUM vario Type 90, safety cabinet with folding door(s)		
	drawing no.: 000109449	page: 1 of 4	
Düperthal Sicherheitstechnik Frankenstrasse 3 D-63791 Karlstein	revision: 00	date: 2020-12-07	





	Model type	
	M	XL
BS (mm)	318	2x 368
TS (mm)	427	2x 492
M (kg)	11	11
Max. additional load (kg)	55	110
L (l)	10	10
V (l)	11	11
LB (mm)	326	832
Number of Vario-shelves	5	10

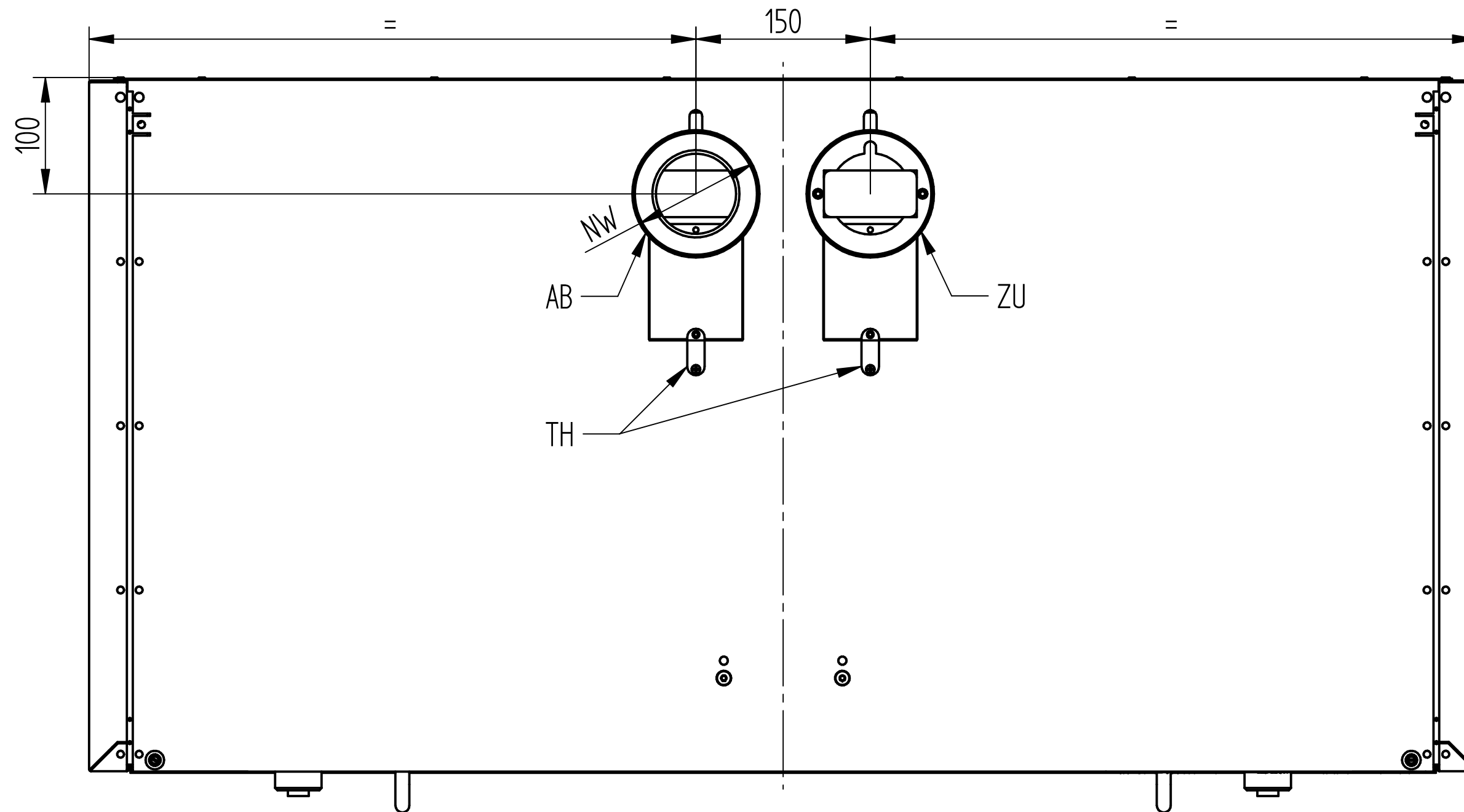
- BS: Width Vario-shelf
- TS: Depth Vario-shelf
- M: Load bearing capacity per Vario-shelf (uniformly distributed)
- L: Max. volume of the individual container
- V: Max. collection volume
- LB: Clear width



Max. setting heights (mm)	
	Model type M, XL
H1	286
H2	286
H3	286
H4	286
H5	303

Inner dimensions

This drawing is our property! Furnish this information to other persons and reproduce or copy is not permitted without our written permission.	title: PREMIUM vario Type 90, safety cabinet with folding door(s)		
	drawing no.: 000109449	page: 2 of 4	
Düperthal Sicherheitstechnik Frankenstrasse 3 D-63791 Karlstein	revision: 00	date: 2020-12-07	



NW: 110, with adapter 75
 AB: Exhaust air connection
 ZU: Supply
 TH: Thermocouple

Ventilation connection

This drawing is our property!
 Furnish this information to other
 persons and reproduce or copy is
 not permitted without our
 written permission.

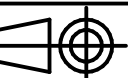
title: PREMIUM vario
 Type 90, safety cabinet with folding door(s)

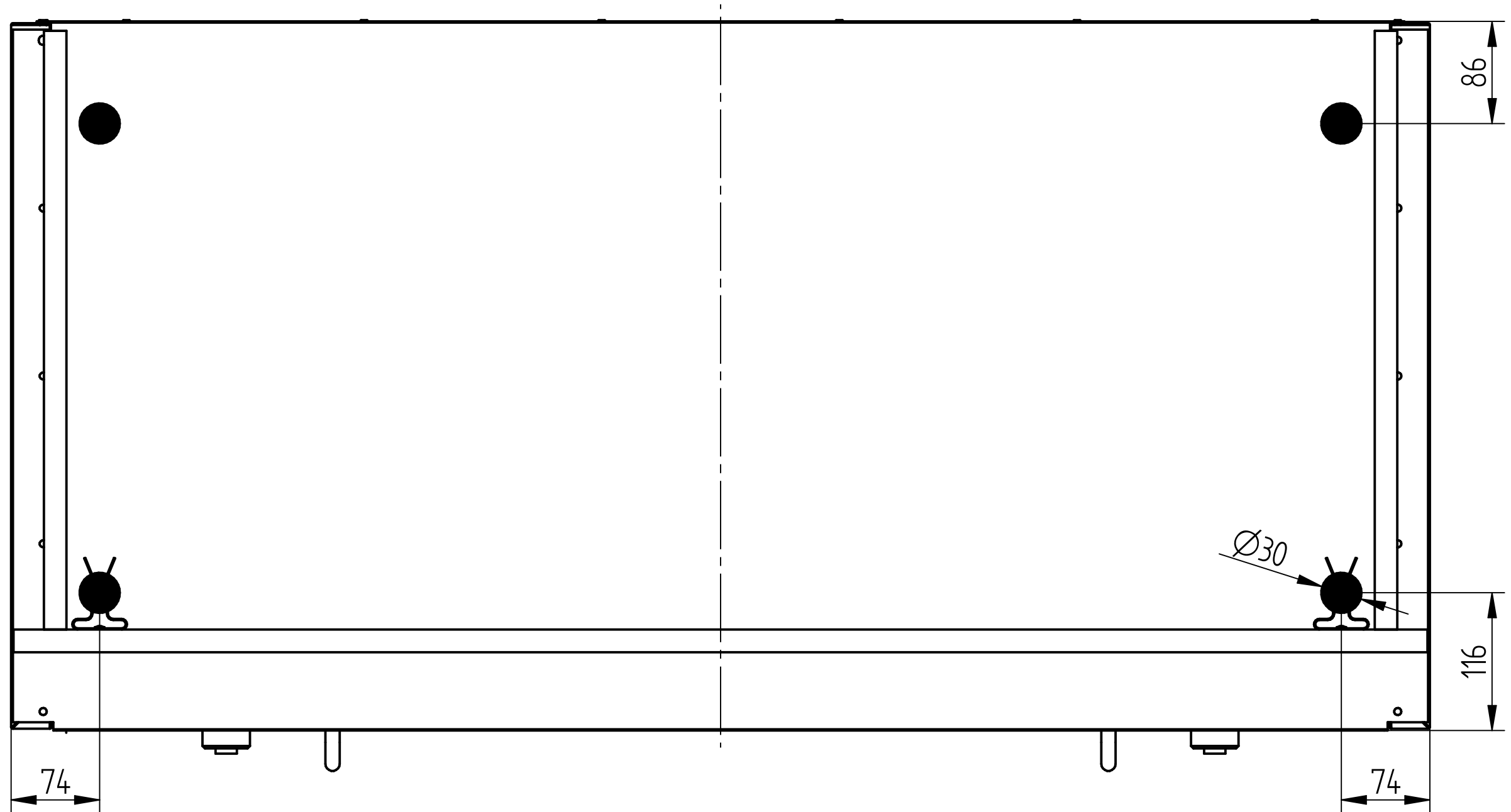
drawing no.: 000109449 page: 3 of 4

revision: 00 date: 2020-12-07

Düperthal Sicherheitstechnik
 Frankenstrasse 3
 D-63791 Karlstein

 **DÜPERTHAL**





● Loaded footprint

Geometry of the adjustable feet

This drawing is our property! Furnish this information to other persons and reproduce or copy is not permitted without our written permission.	title: PREMIUM vario Type 90, safety cabinet with folding door(s)		
	drawing no.: 000109449	page: 4 of 4	
Düperthal Sicherheitstechnik Frankenstrasse 3 D-63791 Karlstein	date: 2020-12-07		