



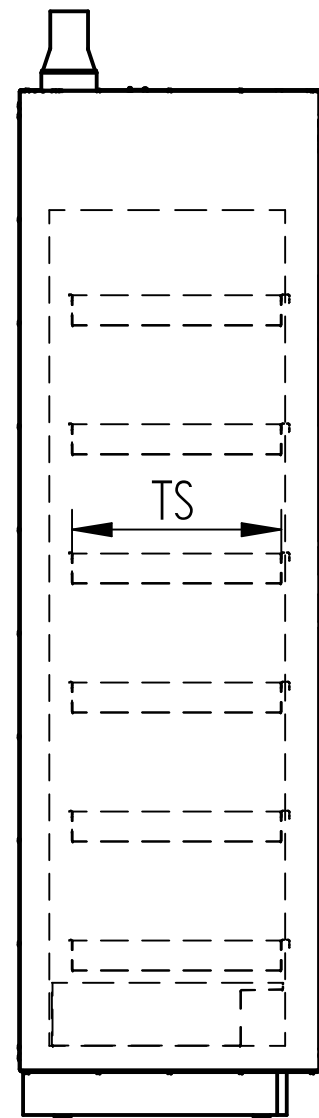
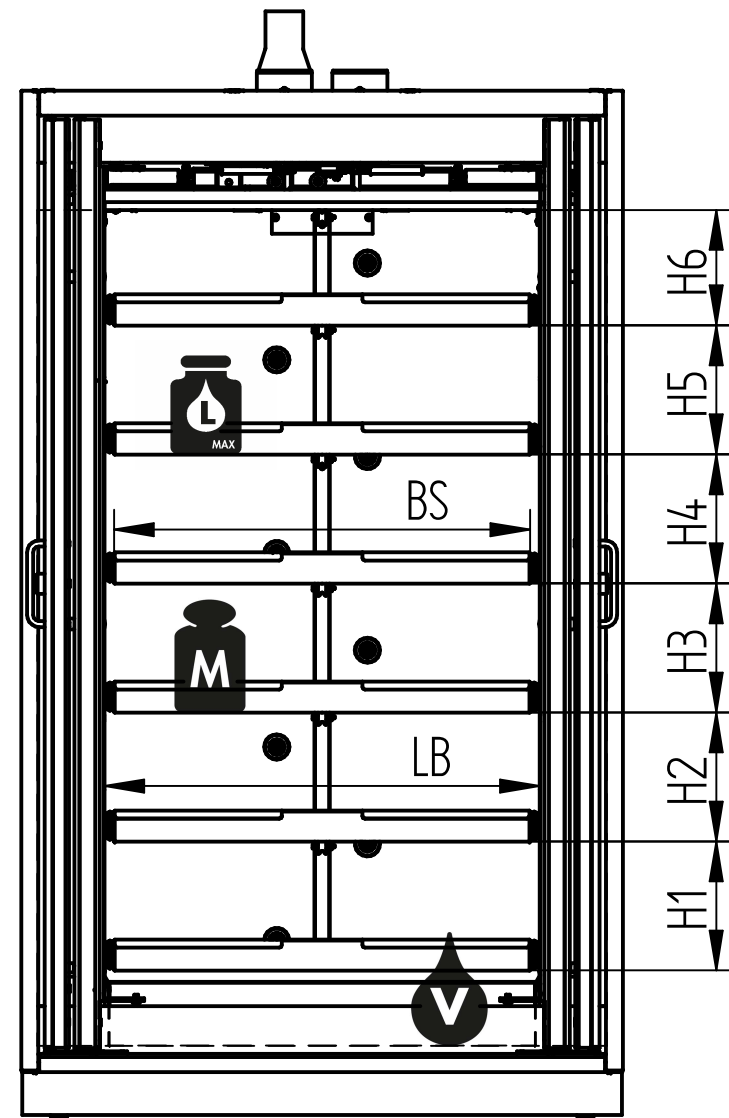
	Model type			
	M	ML	XL	XL (CPW)
H (mm)	2037	2037	2037	2037
B (mm)	594	594	1194	1194
T (mm)	597	747	597	597
T1 (mm)	854	1004	854	854
Doors	1	1	2	2
Tare weight (kg) *	310 - 325	355 - 370	520 - 535	530 - 560
Inside cabinet volume (m ³)	0,43	0,56	0,94	0,94

* varies according to the number of pull-out shelves

CPW: Centre partition wall

Outer dimensions

This drawing is our property! Furnish this information to other persons and reproduce or copy is not permitted without our written permission.	title: PREMIUM pro Type 90, safety cabinet with folding door(s)		
	drawing no: 000109447	page: 1 of 4	
Düperthal Sicherheitstechnik Frankenstrasse 3 D-63791 Karlstein	revision: 00	date: 2020-12-07	



	Model type			
	M	ML	XL	XL (CPW)
BS (mm)	305	305	825	2x 385
TS (mm)	415	565	415	2x 415
M (kg)	40	40	60	40
Max. additional load (kg)	240	240	360	360
L (l)	10	15	25	10
V (l)	11	16,5	27,5	2x 11
LB (mm)	342	342	864	2x 424

BS: Width storage area
 TS: Depth storage area
 M: Load bearing capacity per pull-out shelf (uniformly distributed)

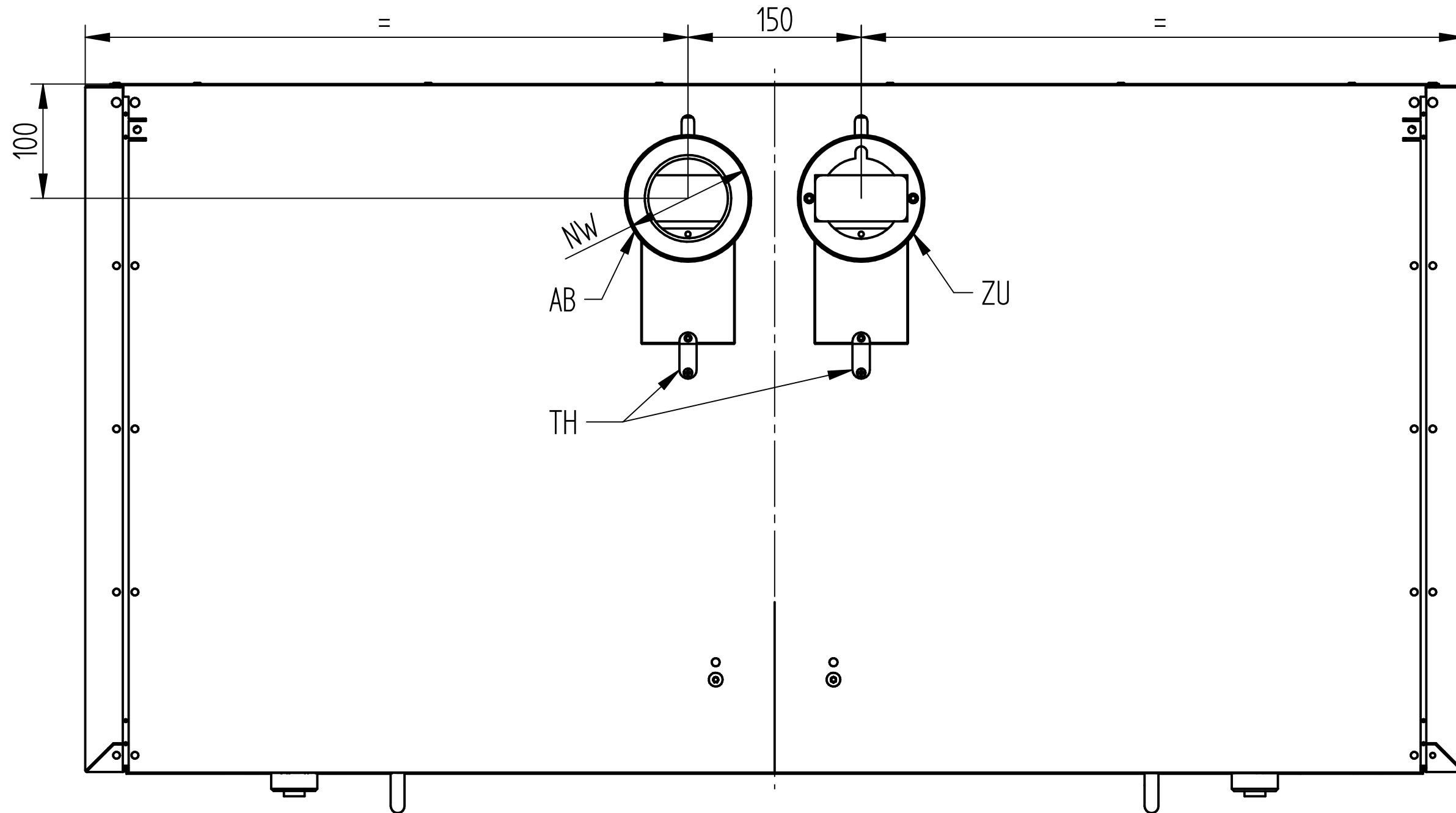
L: Max. volume of the individual container
 V: Max. collection volume
 LB: Clear width
 CPW: Centre partition wall

Max. setting heights (mm)		
		Model type M, ML, XL, XL (CPW)
3 pull-out shelves	H1	511
	H2	511
	H6	484
4 pull-out shelves	H1	383
	H2	383
	H3	383
	H6	356
5 pull-out shelves	H1	303
	H2	303
	H3	303
	H4	303
	H6	292
6 pull-out shelves	H1	255
	H2	255
	H3	255
	H4	255
	H5	255
	H6	228

Pull-out trays adjustable in 16 mm pitch ex works on request

Inner dimensions

This drawing is our property! Furnish this information to other persons and reproduce or copy is not permitted without our written permission.	title: PREMIUM pro Type 90, safety cabinet with folding door(s)		
	drawing no.: 000109447	page: 2 of 4	
Düperthal Sicherheitstechnik Frankenstrasse 3 D-63791 Karlstein	revision: 00	date: 2020-12-07	DÜPERTHAL



NW: 110, with adapter 75
 AB: Exhaust air connection
 ZU: Supply
 TH: Thermocouple

Ventilation connection

This drawing is our property!
 Furnish this information to other
 persons and reproduce or copy is
 not permitted without our
 written permission.

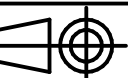
title: PREMIUM pro
 Type 90, safety cabinet with folding door(s)

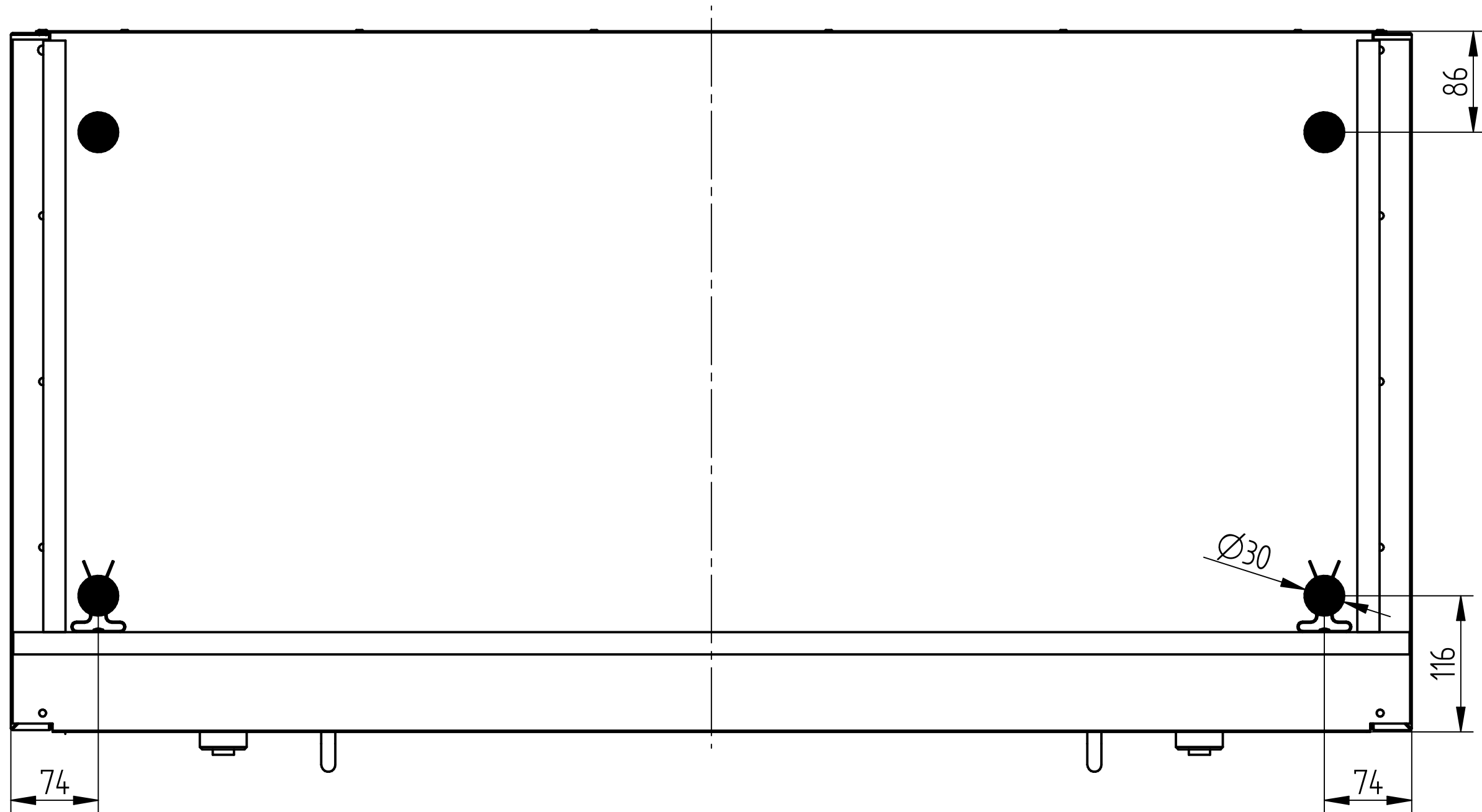
drawing no.: 000109447 page: 3 of 4

revision: 00 date: 2020-12-07

Düperthal Sicherheitstechnik
 Frankenstrasse 3
 D-63791 Karlstein

 **DÜPERTHAL**





● Loaded footprint

Geometry of the adjustable feet

This drawing is our property! Furnish this information to other persons and reproduce or copy is not permitted without our written permission.	title: PREMIUM pro Type 90, safety cabinet with folding door(s)		
	drawing no.: 000109447	page: 4 of 4	
Düperthal Sicherheitstechnik Frankenstrasse 3 D-63791 Karlstein	revision: 00	date: 2020-12-07	