

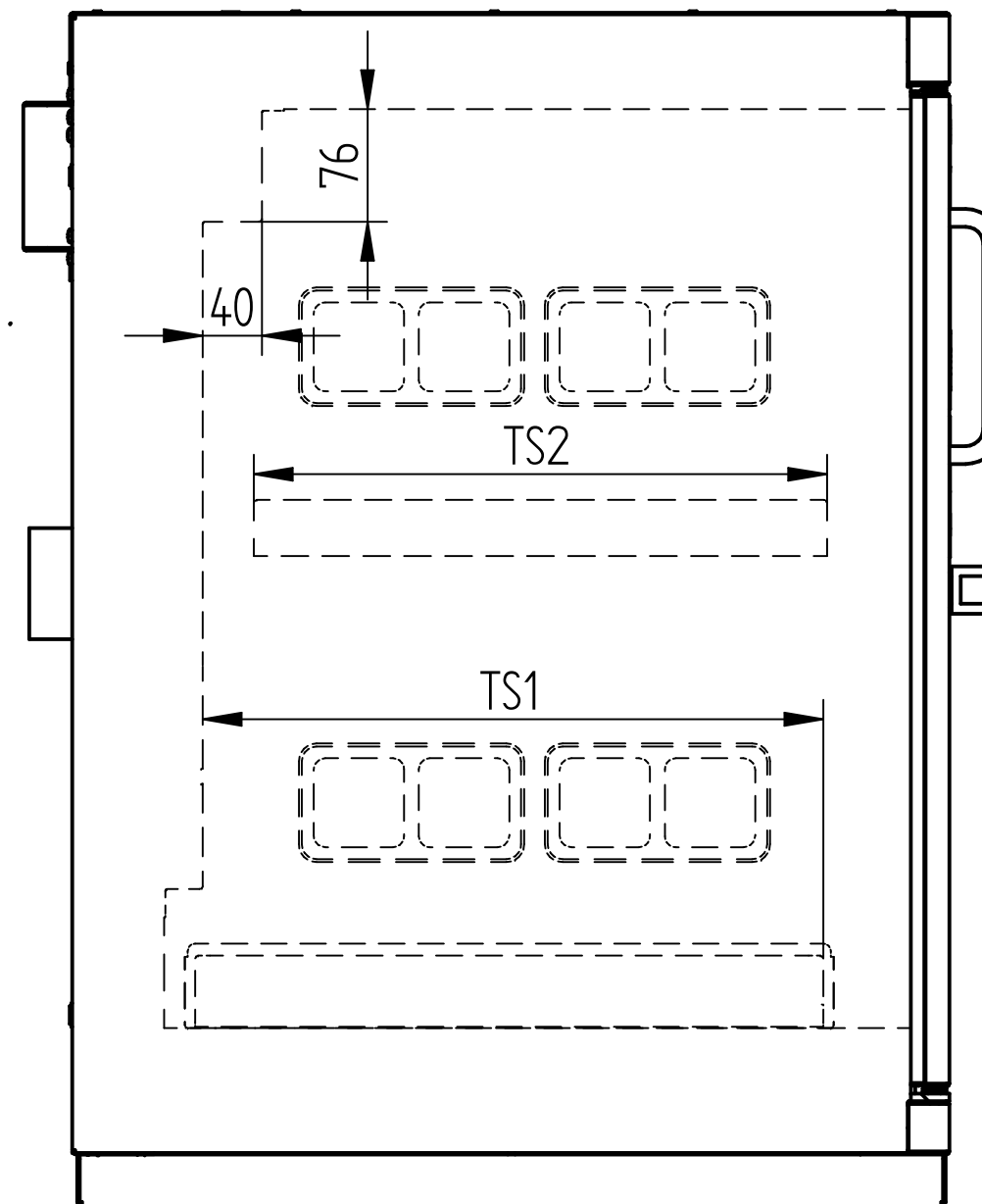
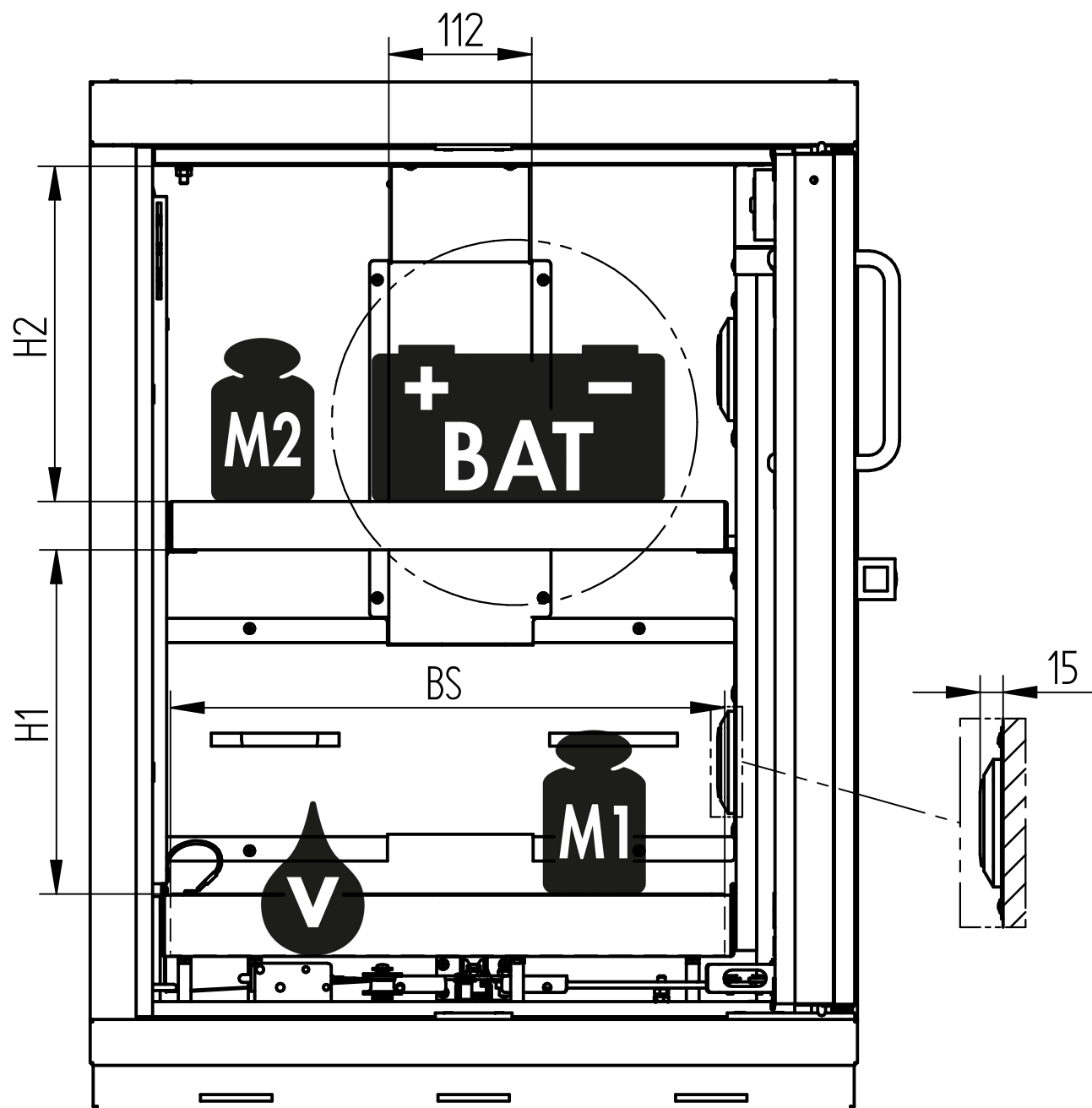
Model type S	
H (mm)	770
B (mm)	601
T (mm)	594
T1 (mm)	1170
Doors	1
Tare weight (kg)	145
Inside cabinet volume (m ³)	0,15

PSU: Power Supply Unit,
 approx. 125 x 128 x 200 (WxDxH),
 cable length exterior approx. 1,6m
 RD: Penetration

* Standard base height (see page 5)

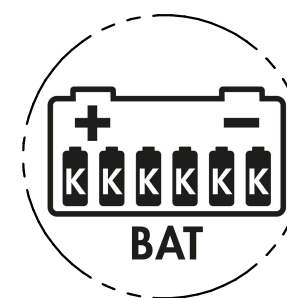
Exterior

This drawing is our property! Furnish this information to other persons and reproduce or copy is not permitted without our written permission.	title: BATTERY B station S Type 90, safety cabinet with wing door		
	drawing no.: 000139605	page: 1 of 5	
Düperthal Sicherheitstechnik Frankenstrasse 3 D-63791 Karlstein	revision: 00	date: 2026-06-19	



Model type S	
BS (mm)	435
TS1 (mm)	420
TS2 (mm)	385
M1 (kg)	60
M2 (kg)	20
Max. load capacity (kg)	80
V (l)	8
Number of storage levels	2
ProB	1
BAT per ProB (Wh)	1000
K (Ah)	54

Max. setting height (mm)		
Storage levels	H1	267
	H2	260



- BS: Width storage area
- TS: Depth storage area
- M: Load bearing capacity per storage level (uniformly distributed)
- V: Max. collection volume
- ProB: Max. number of propagation areas (thermally insulated)
- BAT: Max. energy storage capacity (battery may consist of several lithium-ion cells (K))
- K: Max. cell capacity of the single lithium-ion cell

Interior

This drawing is our property! Furnish this information to other persons and reproduce or copy is not permitted without our written permission.	title: BATTERY B station S Type 90, safety cabinet with wing door		
	drawing no.: 000139605	page: 2 of 5	
Düperthal Sicherheitstechnik Frankenstrasse 3 D-63791 Karlstein	revision: 00	date: 2026-06-19	

PSU data		
	230V	400V
Supply voltage	230V ~ 50/60Hz	400V ~ 50/60Hz
Plug type	16A CEE L+N+PE 6h	16A CEE 3L+N+PE 6h
Power supply cable length	approx. 3m	approx. 3m

Plug PSU 230V

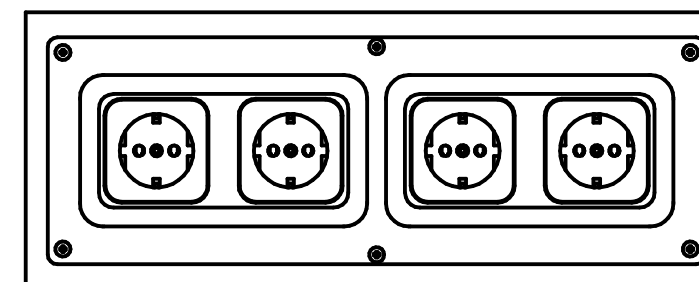


Plug PSU 400V



Sockets data	
Output voltage	230V ~ 50/60Hz
Fuse protection per storage level	10A
Number of sockets per storage level	4
Sockets for plug type*	Type C (CEE 7/16) Type C (CEE 7/17) Type F (CEE 7/4) Type E+F (CEE 7/7)

Sockets (Standard)

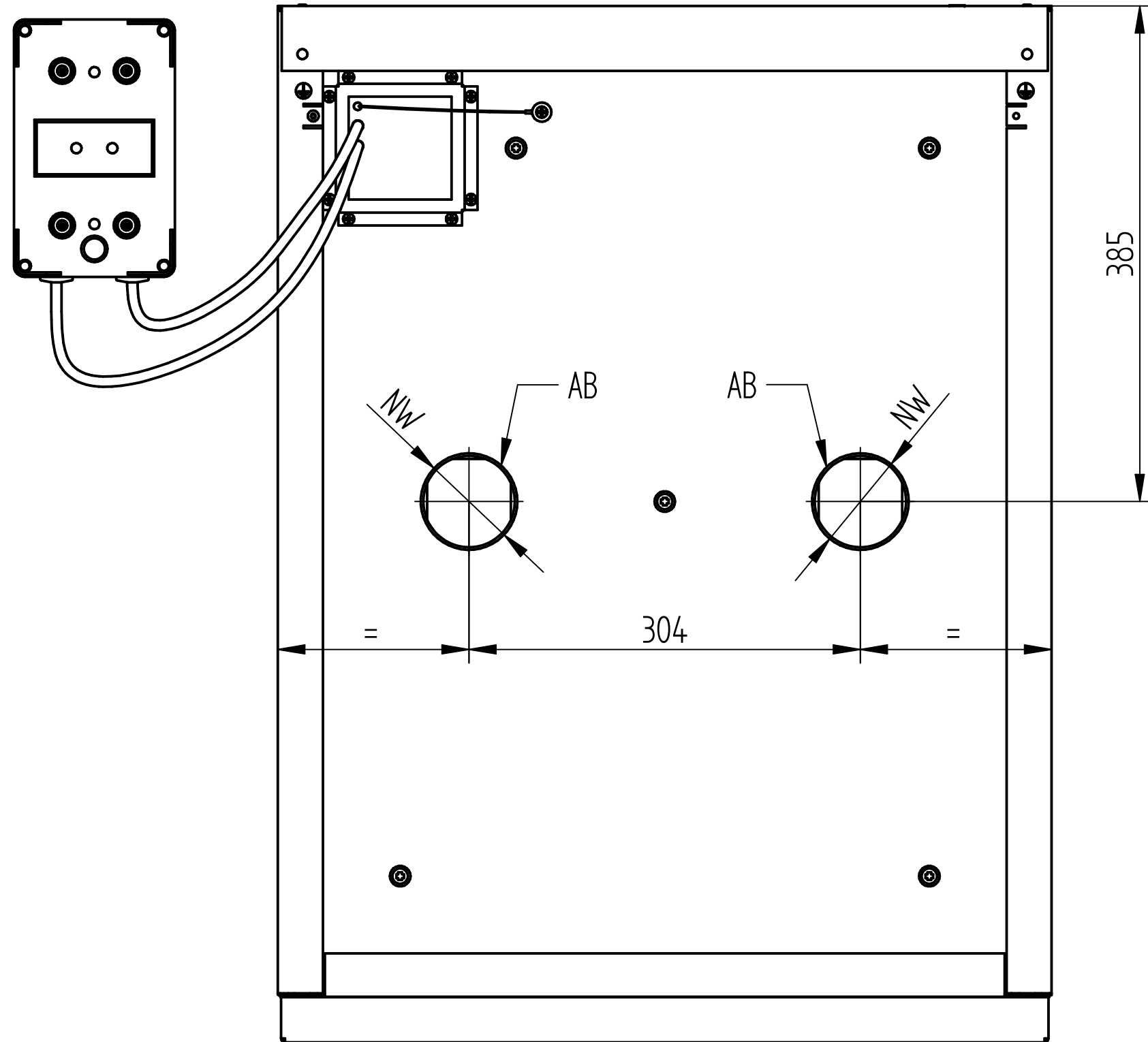


* Alternative sockets available on request

Alternative sockets for plug type	Country
Type G (BS 1363)	GB
Type I (AS/NZS 3112)	AU
Type J (SN 441011)	CH

Connection and supply data

This drawing is our property! Furnish this information to other persons and reproduce or copy is not permitted without our written permission.	title: BATTERY B station S Type 90, safety cabinet with wing door		
	drawing no.: 000139605	page: 3 of 5	
Düperthal Sicherheitstechnik Frankenstrasse 3 D-63791 Karlstein	revision: 00	date: 2026-06-19	

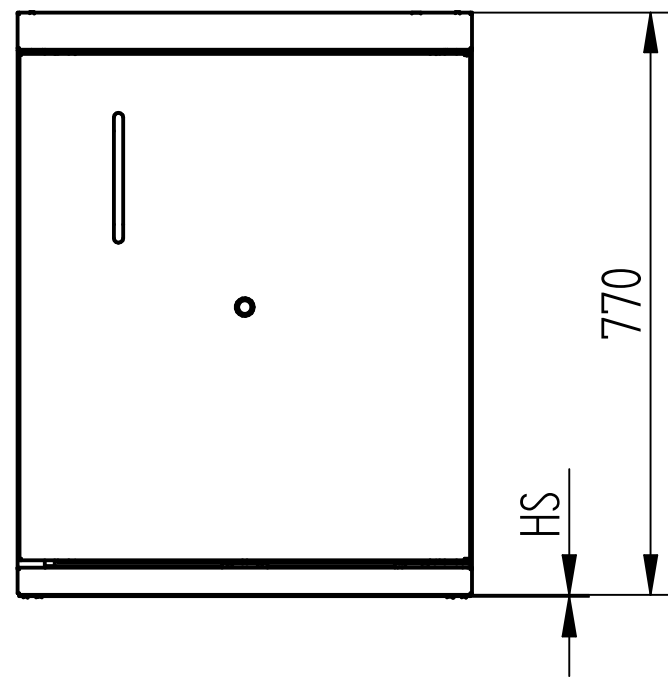


NW: 75
 AB: Exhaust air connection

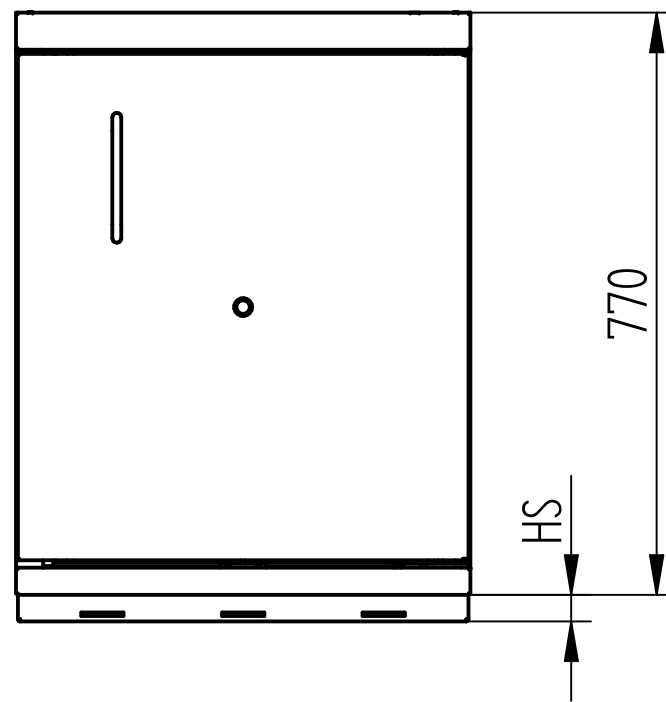
Ventilation connetion

This drawing is our property! Furnish this information to other persons and reproduce or copy is not permitted without our written permission.	title: BATTERY B station S Type 90, safety cabinet with wing door		
	drawing no.: 000139605	page: 4 of 5	
Düperthal Sicherheitstechnik Frankenstrasse 3 D-63791 Karlstein	date: 2026-06-19		

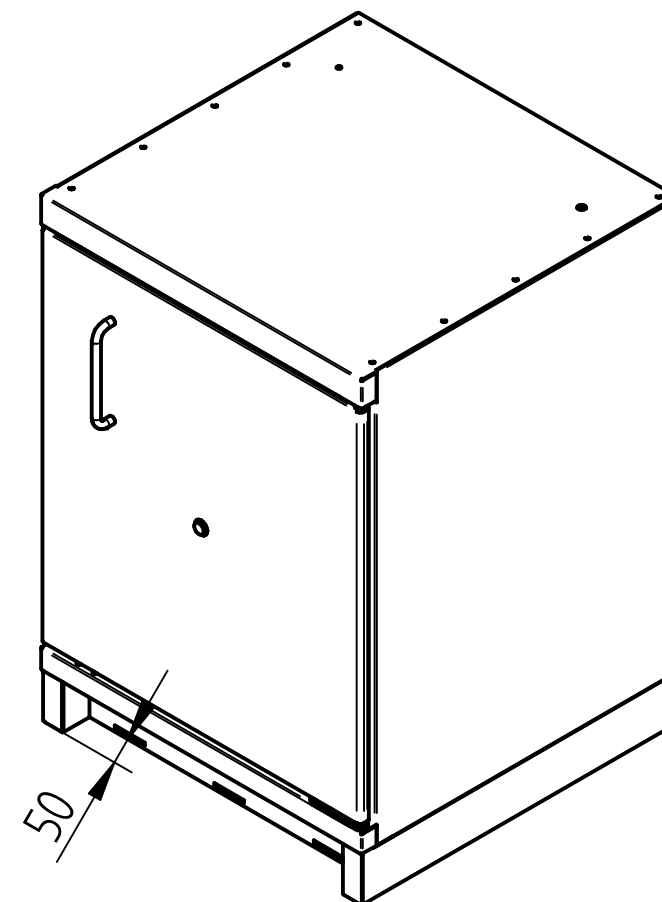
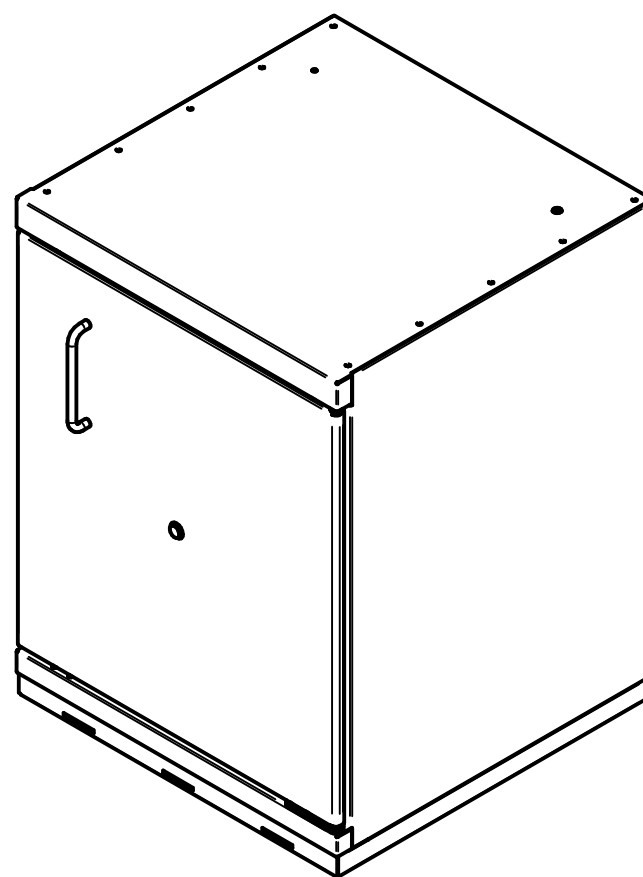
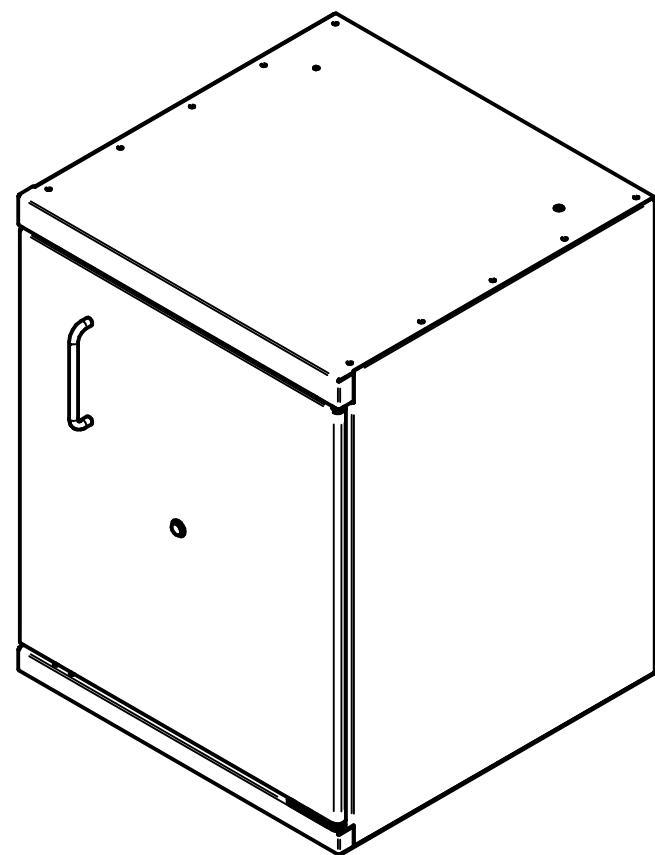
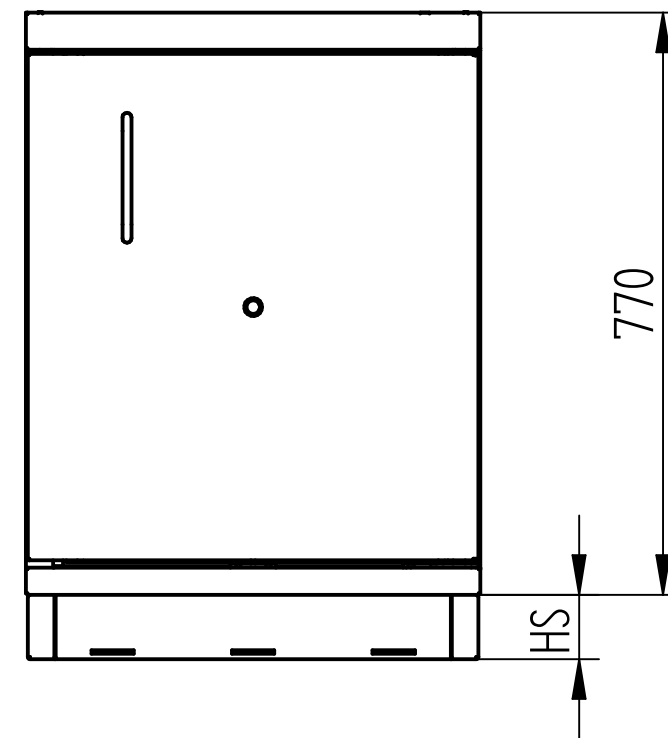
External floor



Classical base



ToeKick-base



	Variable base versions		
	External floor	Classical base	ToeKick-base
HS (mm)	3	20 bis 135	60 bis 135

Base versions

This drawing is our property! Furnish this information to other persons and reproduce or copy is not permitted without our written permission.	title: BATTERY B station S Type 90, safety cabinet with wing door		
	drawing no.: 000139605	page: 5 of 5	
Düperthal Sicherheitstechnik Frankenstrasse 3 D-63791 Karlstein	revision: 00	date: 2026-06-19	